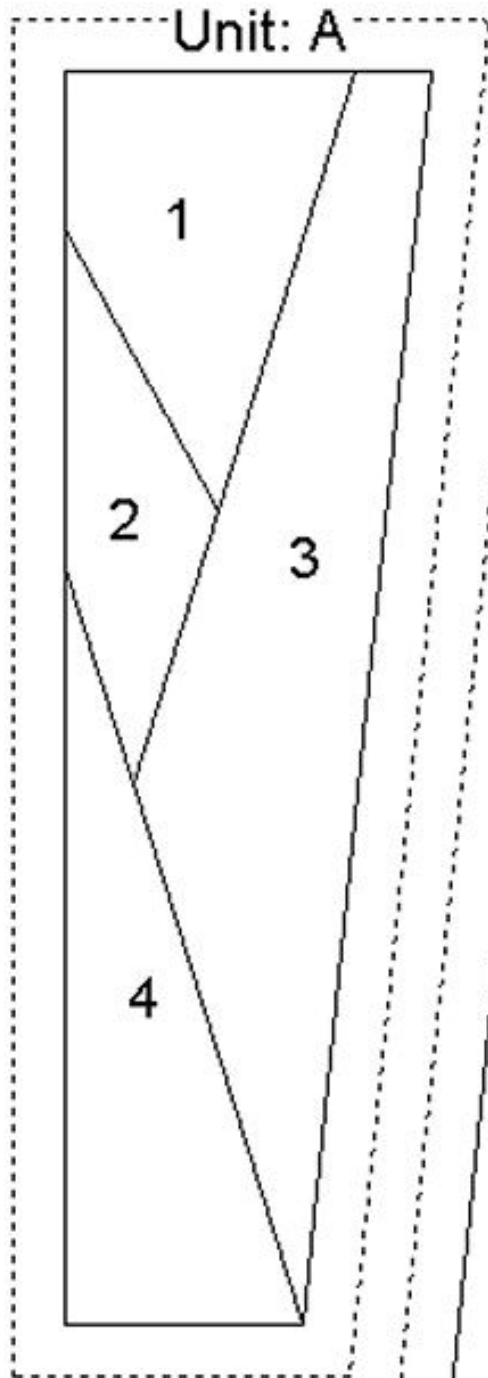


Unit: A



Unit: B

